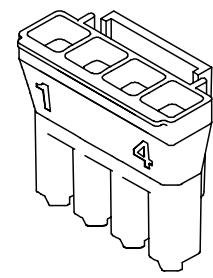
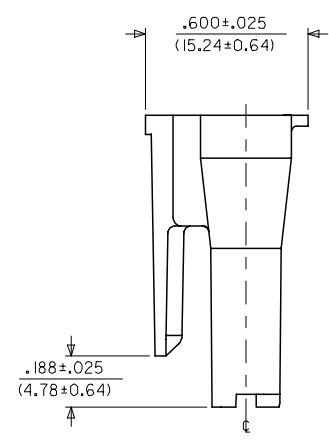
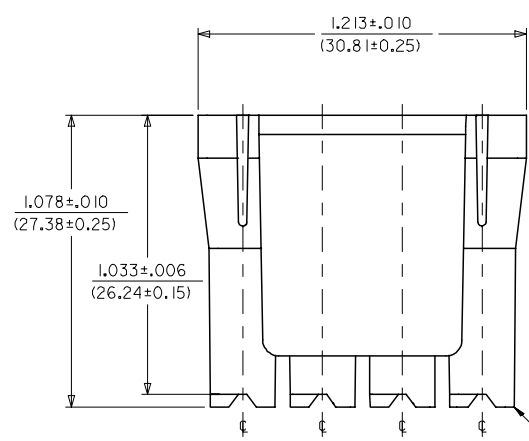


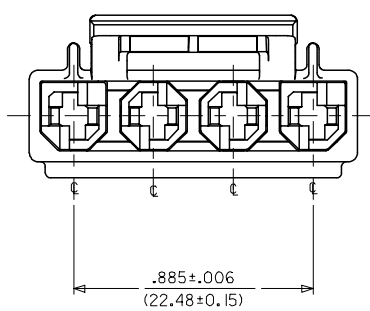
NOTES:

1. MATERIAL: NYLON, UL94V-0, COLOR: BLACK
2. THIS CONNECTOR HOUSING FOR USE WITH 43375-\*\*\*\* TERMINALS.
3. THIS CONNECTOR HOUSING WILL MATE TO A-43160-\*\*\*\*4, 43180-\*\*\*\*4, AND 43680-\*\*\*\*4 HOUSINGS.
4. PRODUCT SPECIFICATION: PSX-4444I-9999.
5. PACKAGING: PK-4444I-001.



4444I-1004  
(NO SCALE)

CIRCUIT 1



REV. NOTE 1 REV. NO: UCP2006-1297 DRAWN: STEWART 2005/12/07 CHKD: BWR/KJUS 2005/12/08 APPR: BWR/KJUS 2005/12/08	QUALITY SYMBOLS ◻=0 ◻=0	GENERAL TOLERANCES (UNLESS SPECIFIED)		DIMENSION STYLE IN/MM		SCALE 3:1	DESIGN UNITS INCH	THIRD ANGLE PROJECTION	
		mm	INCH	DRAWN BY BW	DATE 09/20/04	TITLE 4-CIR. RECEPT. HSG. .125(3.18) X .020(0.51) SABRE - TPA; V-0 MAT'L			
A2	DESCRIPTION	4 PLACES ±.005	±.005	CHECKED BY BW	DATE 09/20/04	APPROVED BY BW		DATE 09/20/04	
		3 PLACES ±.013	±.01	MATERIAL NO. 44441-2004		DOCUMENT NO. SD-44441-2004		SHEET NO. 1 OF 1	
DRAFT WHERE APPLICABLE MUST REMAIN WITHIN DIMENSIONS		ANGULAR ±1/2°		SIZE C		THIS DRAWING CONTAINS INFORMATION THAT IS PROPRIETARY TO MOLEX INCORPORATED AND SHOULD NOT BE USED WITHOUT WRITTEN PERMISSION			